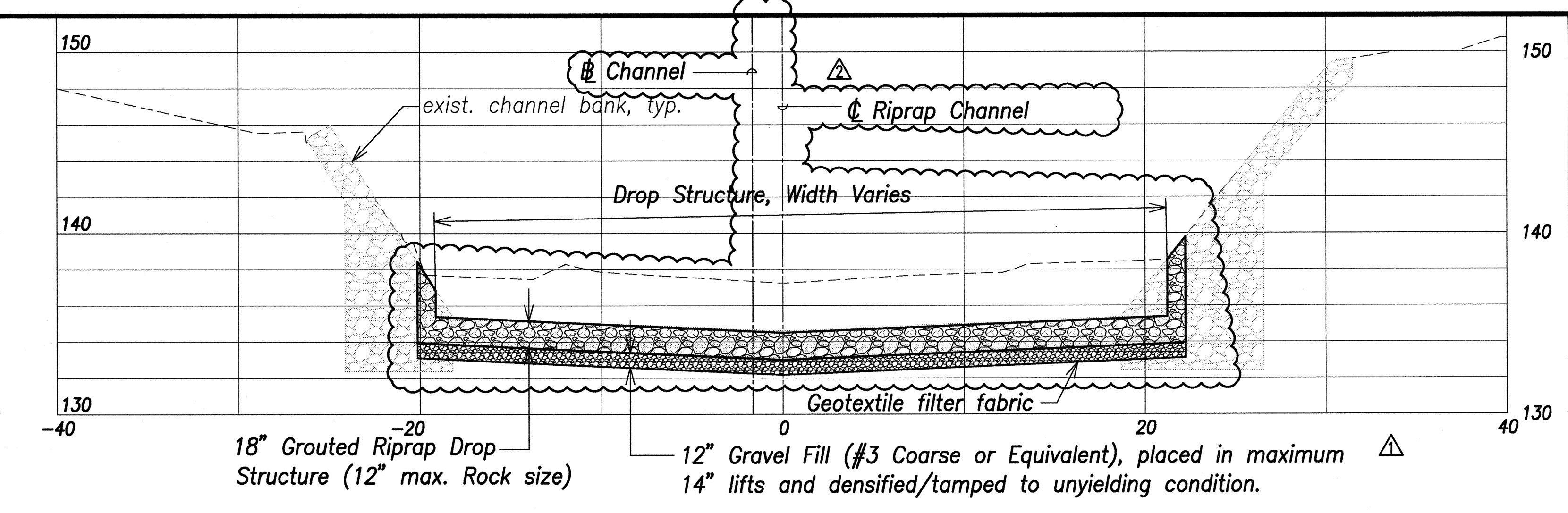
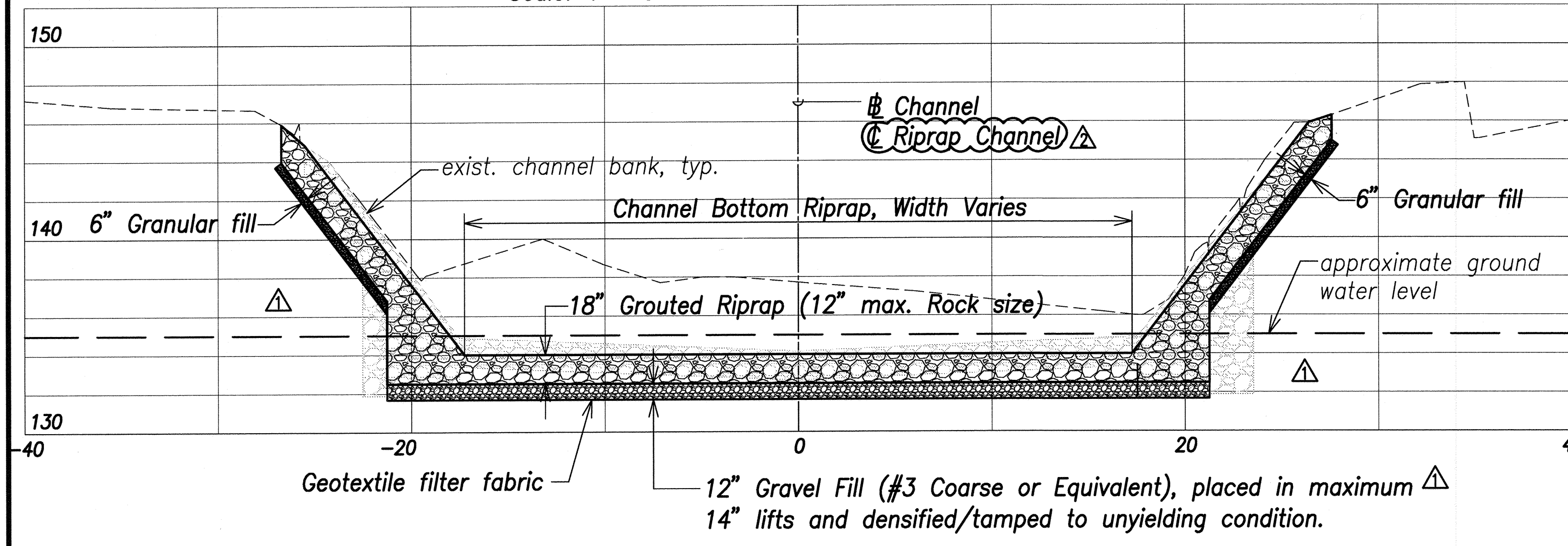


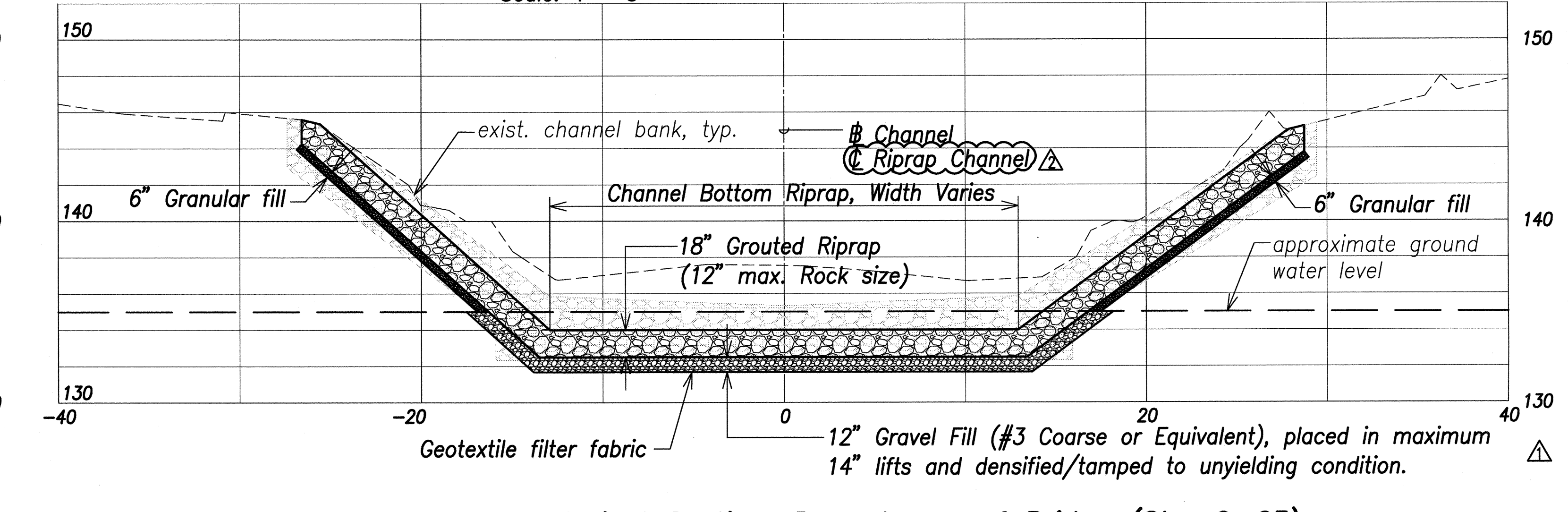
Typical Section: Upstream of Bridge (Sta. -0+65)
Scale: 1" = 5'



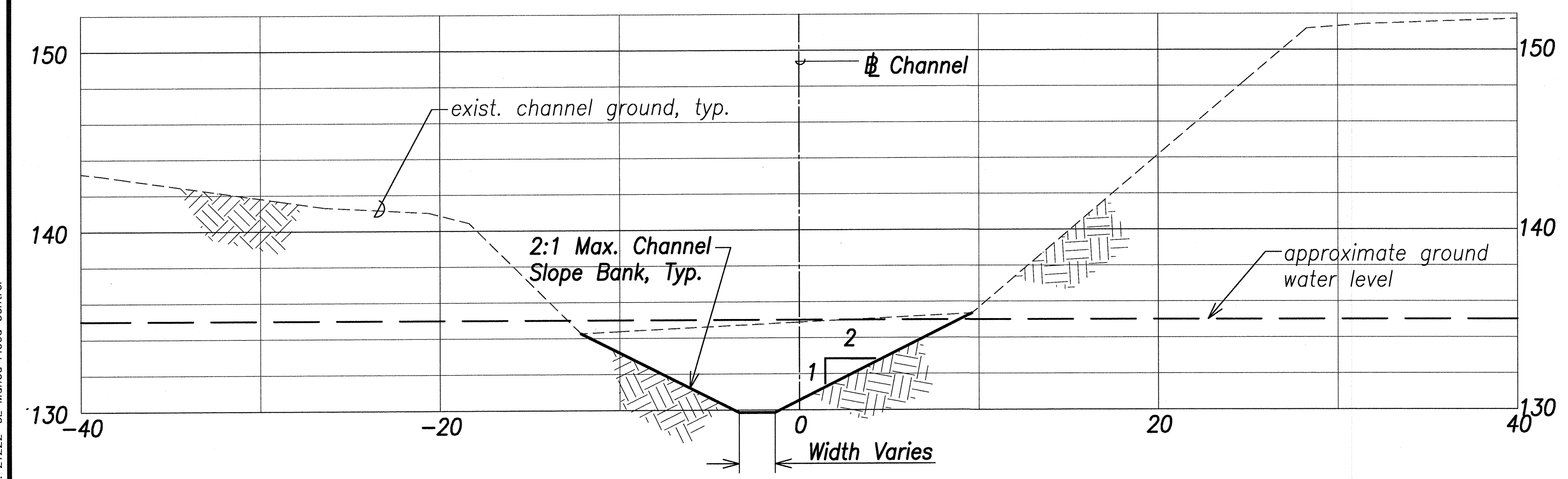
Typical Section: Upstream of Bridge (Sta. -0+50)
Scale: 1" = 5'



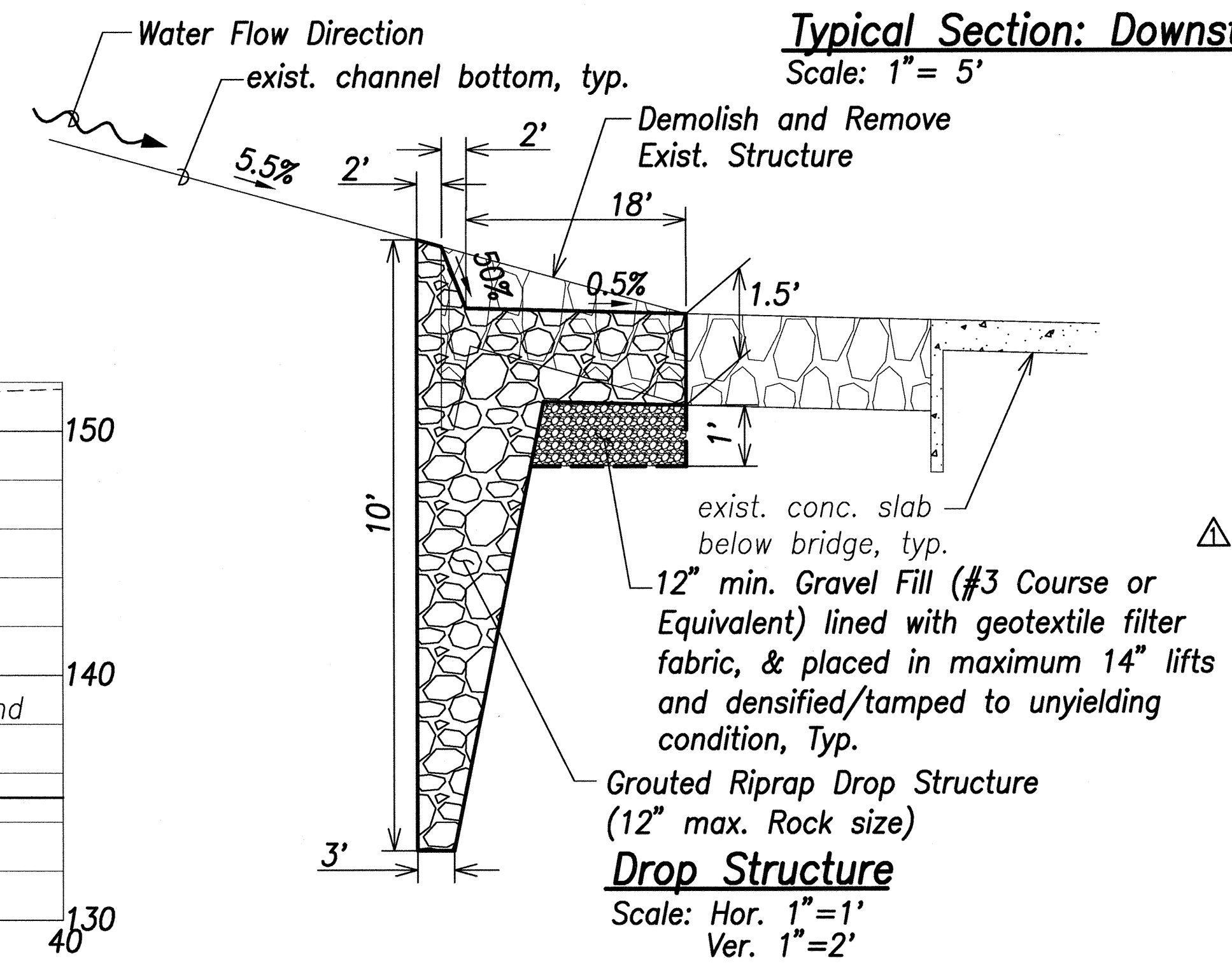
Typical Section: Downstream of Bridge (Sta. 0+50)
Scale: 1" = 5'



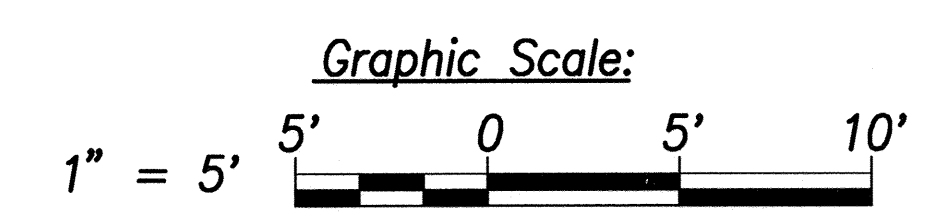
Typical Section: Downstream of Bridge (Sta. 0+65)
Scale: 1" = 5'



Typical Section: Downstream of Bridge (Sta. 4+00)
Scale: 1" = 5'



Grouted Riprap Drop Structure
Scale: Hor. 1" = 1'
Ver. 1" = 2'



NO.	SYM.	DESCRIPTION	SHT./OF	DATE	APPROVED
2	△	ADD. 2: REV. SECTIONS, ADDED CALLOUT	1/1	5/25/16	✓
1	△	ADD. 1: REV. SECTIONS	1/1	5/12/16	✓

		STATE OF HAWAII DEPARTMENT OF LAND AND NATURAL RESOURCES ENGINEERING DIVISION	
MANOA STREAM IMPROVEMENTS AT WOODLAWN DRIVE BRIDGE MANOA, OAHU, HAWAII			
TYPICAL SECTIONS AND DETAIL			
DESIGNED: SKYA	SUBMITTED: SKYA		
DRAWN: TL/RY	DATE: May 2016		
CHECKED: SKYA	SCALE: AS SHOWN		
APPROVED:	DATE: MAY 25 2016	DRAWING NO. C-7	
R. M. TOWILL CORPORATION LICENSED PROFESSIONAL ENGINEER No. 10000			

RWTC JOB NO.: 21222-0E Manoa Flood Control